

# //FORKED SENSORS FOR LABEL DETECTION

## RELIABLE DETECTION IN A WIDE RANGE OF DIFFERENT APPLICATIONS

Precise and fast detection – even at high web speeds – and the reliable detection of a wide range of material combinations and surfaces. These are the demands professional sensors must meet for labeling applications. And here we offer the right solution for every application with our wide line of different designs and operating principles, from light to ultrasonics.

### /// GS 61



Optical forked photoelectric sensor in slim-line design with 3 mm mouth width for exact detection of labels on base material.

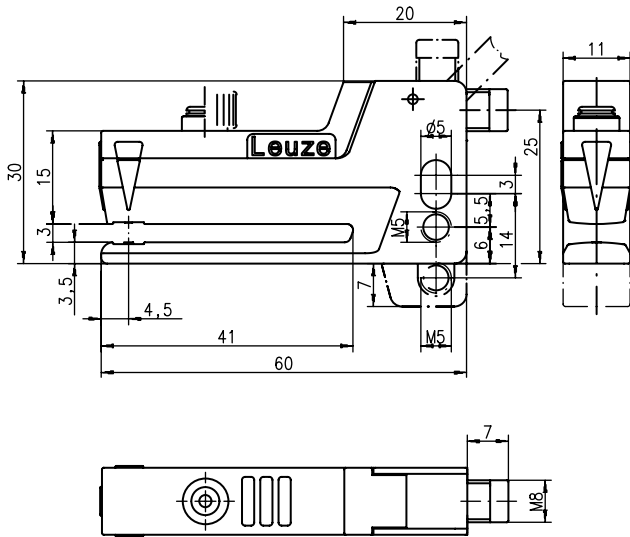


#### Benefits:

- Simple sensitivity adjustment via multiturn potentiometer or optionally via teach-in function
- Slimline-design (reduced fork height) for installation directly at the dispensing edge
- Removable operating head for comfortable potentiometer adjustment
- Smallest dimensions of all industrial forked photoelectric sensors with an excellent price / performance ratio

Part no.	Part description	Principle of physics	Mouth width	Switching frequency	Light source	Switching output 1	Response time	Description
50110108	GS 61/6.2-S8	Optical	3 mm	10,000 Hz	LED, infrared	Transistor, push-pull, switching signal in label gap	0.05 ms	Connector, M8, 4-pin, teach button
50110763	GS 61/6.2-S8V	Optical	3 mm	10,000 Hz	LED, infrared	Transistor, push-pull, switching signal in label gap	0.05 ms	Connector, M8, 4-pin, teach button
50110110	GS 61/6-S8	Optical	3 mm	10,000 Hz	LED, infrared	Transistor, push-pull, switching signal in label gap	0.05 ms	Connector, M8, 4-pin, multiturn potentiometer
50110112	GS 61/6-S8V	Optical	3 mm	10,000 Hz	LED, infrared	Transistor, push-pull, switching signal in label gap	0.05 ms	Connector, M8, 4-pin, multiturn potentiometer
50110765	GS 61/6.2-S8.3	Optical	3 mm	10,000 Hz	LED, infrared	Transistor, push-pull, switching signal in label gap	0.05 ms	Connector, M8, 3-pin, teach button
50110761	GS 61/6-S8.3	Optical	3 mm	10,000 Hz	LED, infrared	Transistor, push-pull, switching signal in label gap	0.05 ms	Connector, M8, 3-pin, multiturn potentiometer
50112422	GS 61/6.2,200-S12	Optical	3 mm	10,000 Hz	LED, infrared	Transistor, push-pull, switching signal in label gap	0.05 ms	Cable with connector, M12, 200 mm, 5-pin, teach button
50112424	GS 61/6.3,200-S12	Optical	3 mm	10,000 Hz	LED, infrared	Transistor, push-pull, switching signal in label gap	0.05 ms	Cable with connector, M12, 200 mm, 5-pin, teach button
50112423	GS 61/6,200-S12	Optical	3 mm	10,000 Hz	LED, infrared	Transistor, push-pull, switching signal in label gap	0.05 ms	Cable with connector, M12, 200 mm, 5-pin, multiturn potentiometer
50112425	GS 61/6.3	Optical	3 mm	10,000 Hz	LED, infrared	Transistor, push-pull, switching signal in label gap	0.05 ms	Cable, 2,000 mm, 5-wire, teach button
50110769	GS 61/6	Optical	3 mm	10,000 Hz	LED, infrared	Transistor, push-pull, switching signal in label gap	0.05 ms	Cable, 2,000 mm, 5-wire, multiturn potentiometer
50110109	GS 61/6D.2-S8	Optical	3 mm	10,000 Hz	LED, infrared	Transistor, push-pull, switching signal on label	0.05 ms	Connector, M8, 4-pin, teach button
50110764	GS 61/6D.2-S8V	Optical	3 mm	10,000 Hz	LED, infrared	Transistor, push-pull, switching signal on label	0.05 ms	Connector, M8, 4-pin, teach button
50110111	GS 61/6D-S8	Optical	3 mm	10,000 Hz	LED, infrared	Transistor, push-pull, switching signal on label	0.05 ms	Connector, M8, 4-pin, multiturn potentiometer
50110113	GS 61/6D-S8V	Optical	3 mm	10,000 Hz	LED, infrared	Transistor, push-pull, switching signal on label	0.05 ms	Connector, M8, 4-pin, multiturn potentiometer
50110766	GS 61/6D.2-S8.3	Optical	3 mm	10,000 Hz	LED, infrared	Transistor, push-pull, switching signal on label	0.05 ms	Connector, M8, 3-pin, teach button
50110762	GS 61/6D-S8.3	Optical	3 mm	10,000 Hz	LED, infrared	Transistor, push-pull, switching signal on label	0.05 ms	Connector, M8, 3-pin, multiturn potentiometer
50112426	GS 61/6D.2,200-S12	Optical	3 mm	10,000 Hz	LED, infrared	Transistor, push-pull, switching signal on label	0.05 ms	Cable with connector, M12, 200 mm, 5-pin, teach button
50112427	GS 61/6D,200-S12	Optical	3 mm	10,000 Hz	LED, infrared	Transistor, push-pull, switching signal on label	0.05 ms	Cable with connector, M12, 200 mm, 5-pin, multiturn potentiometer
50110767	GS 61/6.2	Optical	3 mm	10,000 Hz	LED, infrared	Transistor, push-pull, switching signal on label	0.05 ms	Cable, 2,000 mm, 5-wire, teach button
50110768	GS 61/6D.2	Optical	3 mm	10,000 Hz	LED, infrared	Transistor, push-pull, switching signal on label	0.05 ms	Cable, 2,000 mm, 5-wire, teach button
50110770	GS 61/6D	Optical	3 mm	10,000 Hz	LED, infrared	Transistor, push-pull, switching signal on label	0.05 ms	Cable, 2,000 mm, 5-wire, multiturn potentiometer

**Dimensioned drawings: GS 61**



GS 61 forklift sensor

Switching sensors

Measuring sensors

Products for safety at work

Identification

Data transmission / Control components

Industrial image processing

Accessories